



**RESISTANT HIGH  
TEMPERATURES  
HIGH BAY**

**eNYLED**  
Enciso y Tecnología LED, SL®

# Heat Resistant

---

## High Bay



## Product description

The Heat Resistant High Bay combines optical performance, energy efficiency, and outstanding versatility to meet the requirements of high temperature lighting applications in high-temperature, dust, corrosive gas environment, delivers a wide range of light outputs that replace 200W-400W HID / HPS / Metal halide and four-to-eight lamp T5/T8 high intensity fluorescent fixtures.

This series offers higher efficacy for increased energy savings, lower maintenance costs and shorter paybacks.

## Features

---

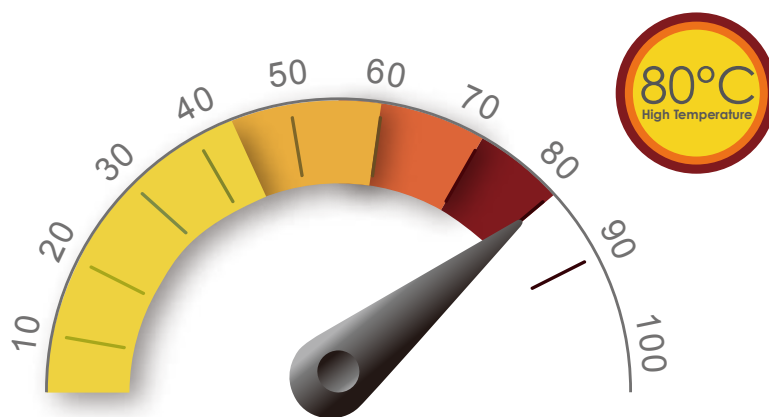
- Innovative design with excellent heat dissipation performance
  - Heat-sink technology ensures long lifespan and low luminous decline
  - IP67 protection for wet locations
  - Imported tempered glass lens, non-yellowing and non-cracking for long term application
  - Heavy duty anodized die-cast aluminum housing and corrosion resistant coating
  - Valid over the entire temperature range from -40°C to +80°C (-40 °F to 176° F)
- 

## Compliance

UL1598  
CE / RoHS  
IP67

## Application

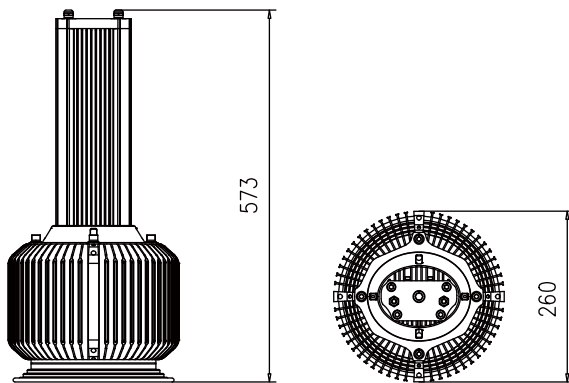
Steel plant  
Aluminum smeltery  
High-temperature, dust,  
corrosive gas environment



## Warranty

4-years for 12hrs / Day use at 80°C  
5-years for 24hrs / Day use at 65°C

## Product Dimensions



Model	Net weight	Dimensions (L×W×H)	Gross weight	Dimensions (L×W×H)
150W	11.0kg/22.3lbs	$\Phi$ 260×573mm $\Phi$ 10.2×22.6in	12.2g/26.9lbs	632×309×315mm 24.9×12.2×12.4in

## Mounting



Hanging Ring



Pendant



Junction Box NPT 3/4'

## Technical Parameters

### Electrical

Rated Power	150W
Input Voltage	AC120-277V
Input Frequency	50/60Hz
Power Factor	≥0.95
Driver Efficiency	≥90%
Dimmable	0/1~10V

### Optical

Lumen Output	22500Lm
Lumens Per Watt	150Lm/W
Beam Angle	60° /110°
Correlated Color Temperature (CCT)	4000K/5000K/5700K
Color Rendering Index (CRI)	Ra≥70

### Environmental

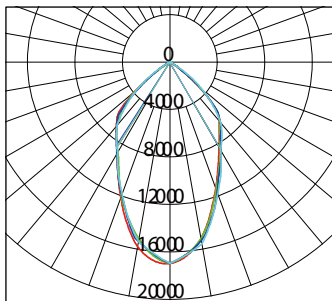
Ambient Operating Humidity	10% ~ 90% RH
Ambient Operating Temperature	-40°C ~ +80°C
Optimal Operating Temperature	25°C (77°F)

### Mechanical

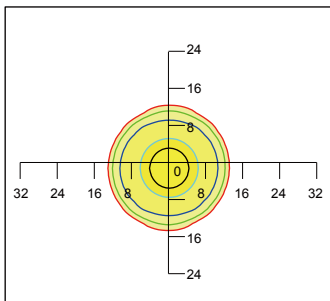
Housing Material	Aluminum
Lens Material	Tempered glass
Mounting Options	Pendant / Hanging Ring / Junction Box

# Photometric

## 60 Degrees



- C0/180,61.1°
- C30/210,61.6°
- C60/240,62.7°
- C90/270,62.2°

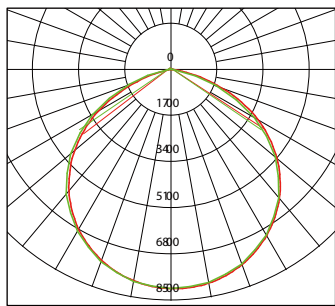


Mounting Height 33'(10m), 0 Tilt

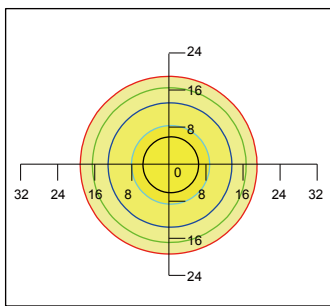
Illumina on-60 Degree		
6m	7.1m	255.3Lux
8m	9.4m	143.7Lux
10m	11.8m	91.9Lux
12m	14.2m	63.8Lux
15m	17.7m	40.9Lux
Height	Diameter	Eavg

Flux out: 10424 lm

## 110 Degrees



- V 0.0DEG PLAN, 111.8
- H 0.0DEG PLAN, 112.2



Mounting Height 33'(10m), 0 Tilt

Illumina on-110 Degree		
6m	17.7m	85.8Lux
8m	23.6m	48.2Lux
10m	39.4m	30.9Lux
12m	35.3m	21.4Lux
15m	44.1m	13.7Lux
Height	Diameter	Eavg

Flux out: 21319 lm

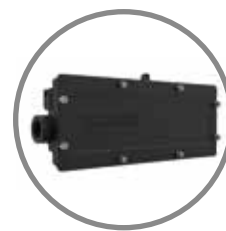
# Accessories



Hanging Ring



Pendant Fittings



Junction Box NPT 3/4"  
Black Painted ADC12 Aluminum