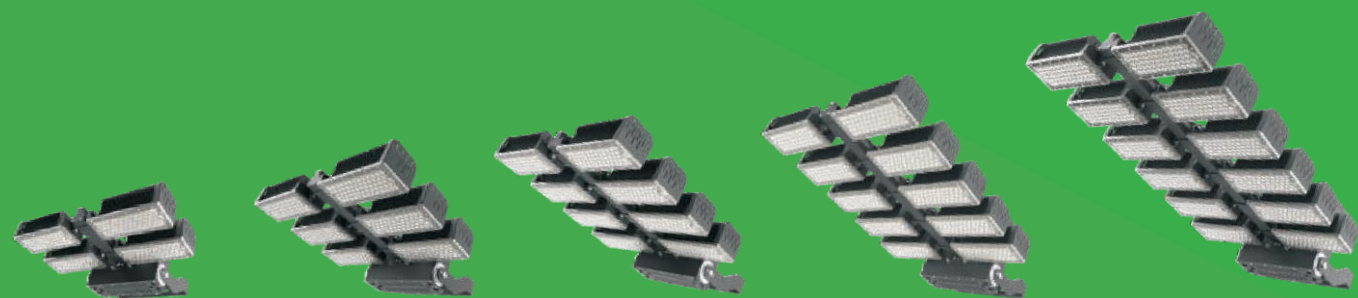
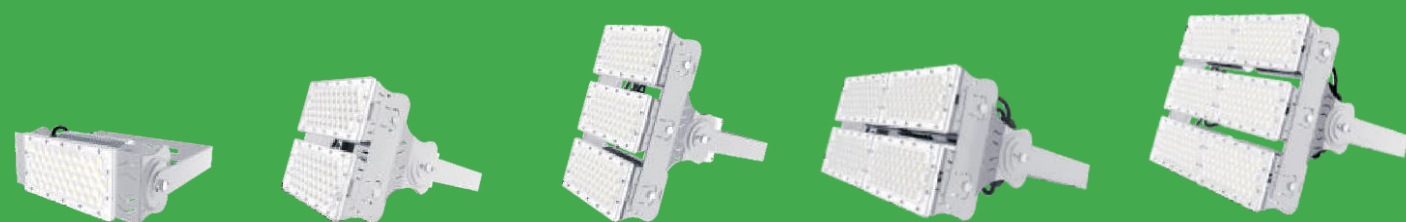


T500 SERIES ULTRA FLOOD LIGHT 480W-1440W



T400 SERIES FLOOD LIGHT 60W-600W



T300 SERIES VERSATILE LIGHT 50W-300W



eNYLED

Enciso y Tecnología LED, SL®



T-500-480W
79,200LM
248PCS LED
579×162×532mm
10.9kg±5%



T-500-720W
118,800LM
372PCS LED
579×199×687mm
14.2kg±5%



T-500-960W
158,400LM
496PCS LED
579×199×842mm
18.5kg±5%



T-500-1200W
198,000LM
620PCS LED
579×274×997mm
22.8kg±5%

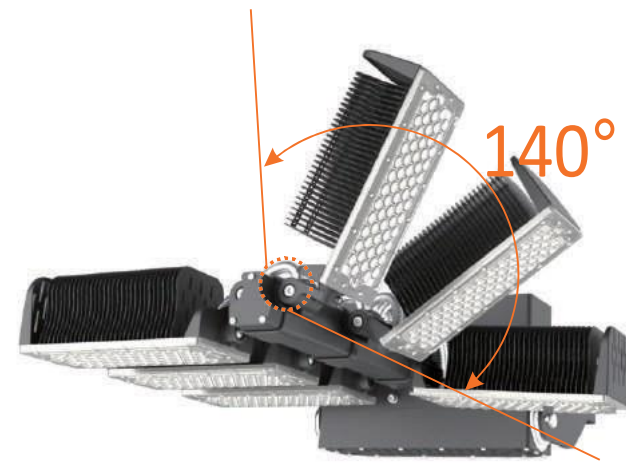


T-500-1440W
237,600LM
744PCS LED
579×274×1152mm
26.2kg±5%

WATTAGE	480/720/960/1200/1440W
LIGHT SOURCE	LUMILEDS
LED QUANTITY	62LEDS EACH MODULE
DRIVER	MEANWELL
LAMP LUMINOUS FLUX	165LM/W±5%(60°/90°/120°)
CRI	155LM/W±5%(15°/30°)
CCT	Ra>70
RATED VOLTAGE	2700-6500K
POWER FACTOR	AC 90-305V, 50/60Hz
BEAM ANGLE	>0.95
IP GRADE	15°/30°/60°/90°/120°
HEAT SINK	IP66
OPERATING TEMP	ALUMINUM COOLING FIN -40°C~60°C

Ultra Flood Light | T500

Ultra Flood Light | T500

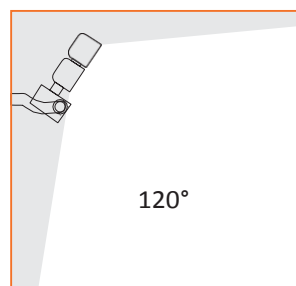
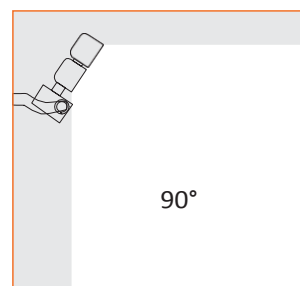
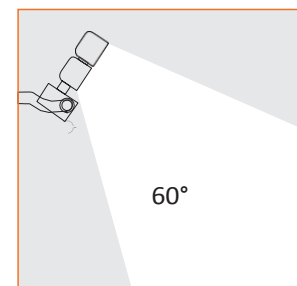
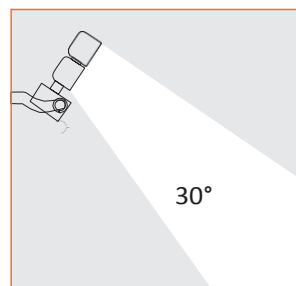
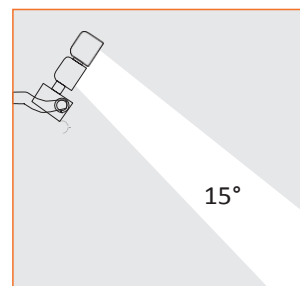


Rotatable Module Design



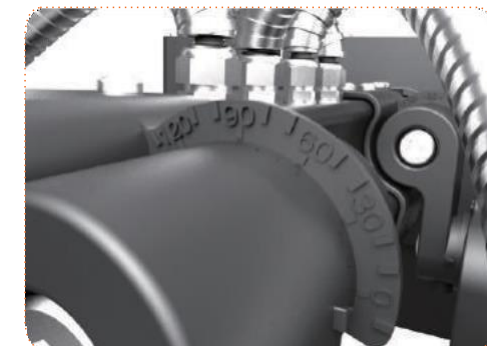
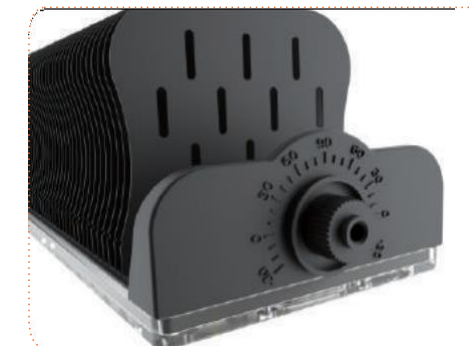
Professional Light Distribution

Multiple optical lens choices are available with angles including 15°/30°/60°/90°/120° for professional light distribution and an extensive scope of applications.



Lamp Efficiency 165LM/W

Original angle scale design





T-400A-100W	T-400B-60W
291×102×266mm	291×102×266mm
16,000LM	9,600LM
48PCS LED	24PCS LED
2.8kg±5%	2.3kg±5%



T-400A-200W	T-400B-120W
291×219×334mm	291×219×334mm
32,000LM	19,200LM
96PCS LED	48PCS LED
4.1kg±5%	3.4kg±5%



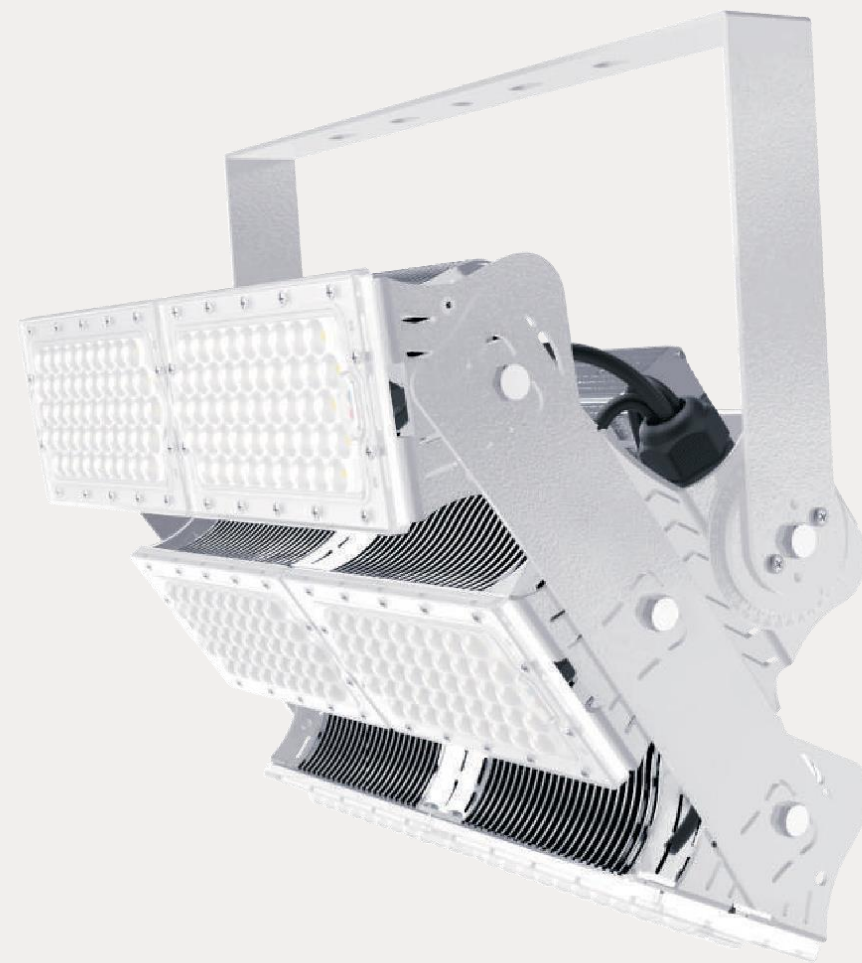
T-400A-300W	T-400B-180W
291×340×324mm	291×340×324mm
48,000LM	28,800LM
144PCS LED	72CS LED
5.6kg±5%	4.3kg±5%



T-400A-400W	T-400B-240W
485×219×334mm	485×219×334mm
64,000LM	38,400LM
192PCS LED	96PCS LED
7.0kg±5%	5.7kg±5%



T-400A-600W	T-400B-360W
485×340×324mm	485×340×324mm
96,000LM	57,600LM
288PCS LED	144PCS LED
9.7kg±5%	8.8kg±5%



WATTAGE	60/100/120/180/200/240/300/360/400/600W
LIGHT SOURCE	LUMILEDS
LED QUANTITY	48 LEDS EACH MODULE(T400A SERIES) 24 LEDS EACH MODULE (T400B SERIES)
DRIVER	MEANWELL
LAMP LUMINOUS FLUX	160LM/W±5%(60°/90°/120°) 150LM/W±5%(15°/30°)
CRI	
CCT	Ra>70
RATED VOLTAGE	2700-6500K
POWER FACTOR	AC 90-305V, 50/60Hz
BEAM ANGLE	>0.95
IP GRADE	
HEAT SINK	15°/30°/60°/90°/120°
OPERATING TEMP	

Flood Light | T400

T400A SERIES



- 100W Each Module
- 48pcs LEDs Each Module

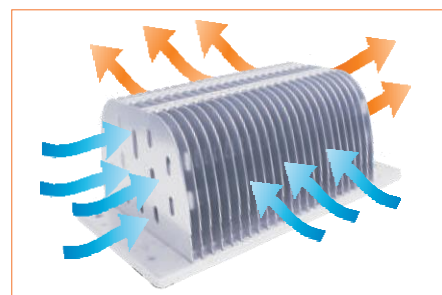


- Ultra Lightweight
- Highly Efficient Heat Dissipation
- Multiway Air Flow+ Aluminum Cooling Fin

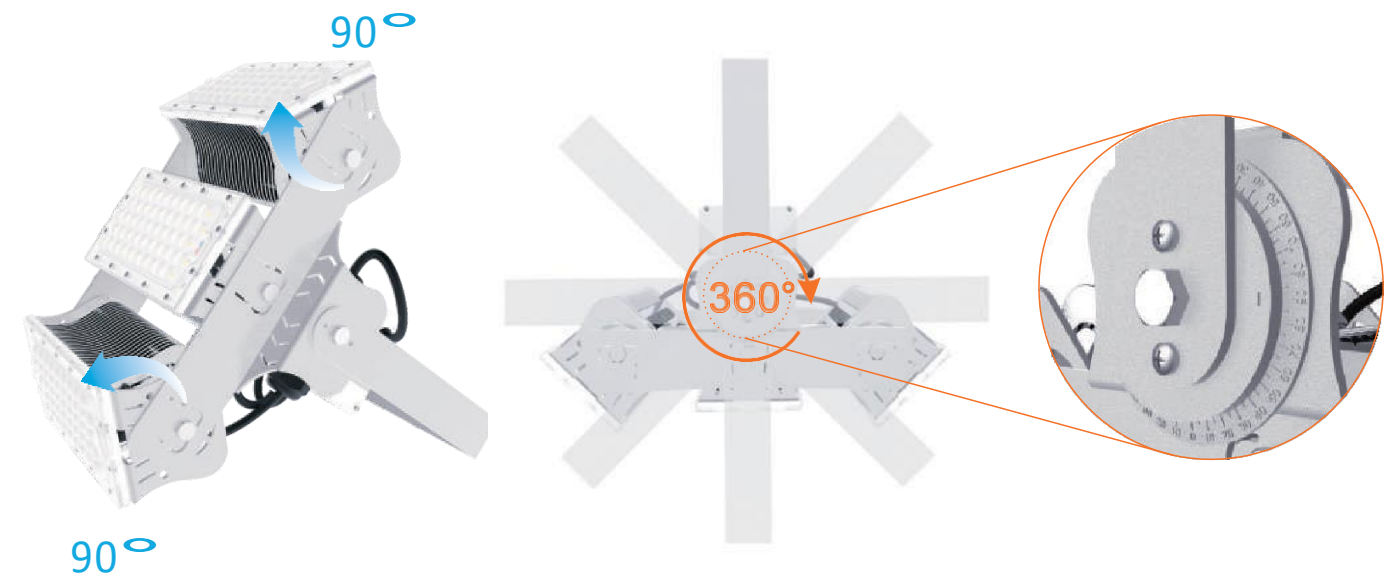
T400B SERIES



- 60W Each Module
- 24pcs LEDs Each Module

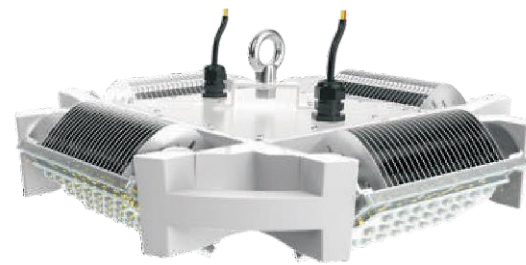


Rotatable Module Design





E-4-100W
14,000LM
192PCS LED
4.5kg±5%



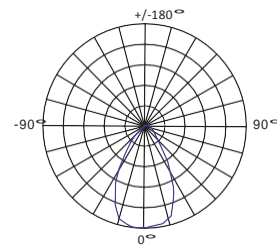
E-4-150W
21,000LM
288PCS LED 4.5kg
±5%

E-4-200W
28,000LM
384PCS LED 5.3kg
±5%

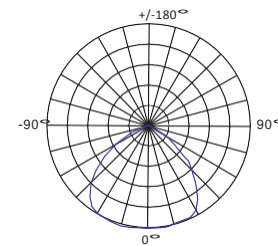
E-4-240W
33,600LM
480PCS LED 5.3kg
±5%

Various replaceable optical lenses

Our optical lenses have been created with inspiration from the properties of diamonds, with a light transmittance rate greater than 92%. Choices for lenses are available with angles of 60°/120°. In addition, the original designed optics are interchangeable.

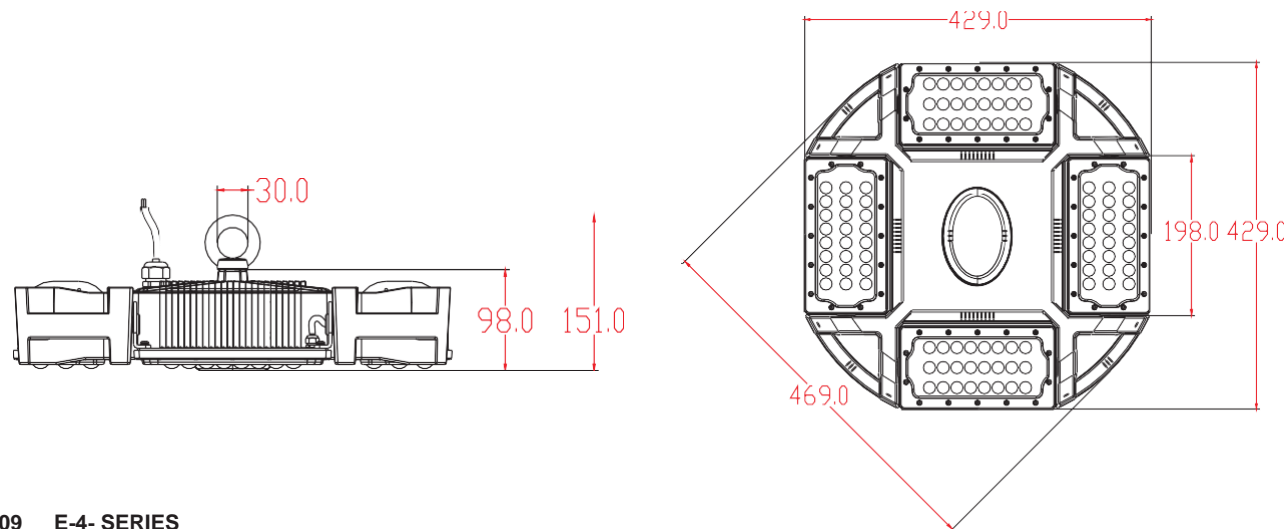


60° Light distribution curve



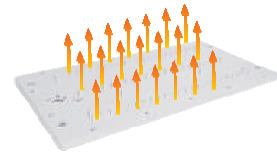
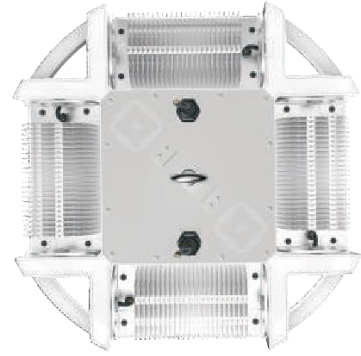
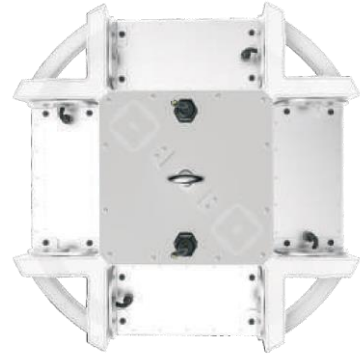
120° Light distribution curve

Dimensions(mm)



WATTAGE	100/150/200/240W
LIGHT SOURCE	LUMILEDS
DRIVER	MEANWELL
LAMP LUMINOUS FLUX	140LM/W±5%
CRI	Ra>80
CCT	2700-6500K
RATED VOLTAGE	AC 90-277V, 50/60Hz
POWER FACTOR	>0.95
BEAM ANGLE	60°/120°
IP GRADE	IP65
HEAT SINK	ALUMINUM COOLING FIN / ALUMINUM RIVET
OPERATING TEMP	-40°C~60°C

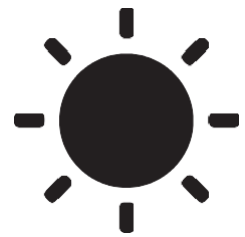
Highbay Light | E-4



Aluminum Rivet



Aluminum Cooling Fin



High Luminous Flux

- 140lm/W luminaire efficiency
- Save 30% energy than regular LED



Module Adjustable

- Toolless light direction adjustment
- 16 Tick-tock, 200° rotatable



Installation & Maintenance Friendly

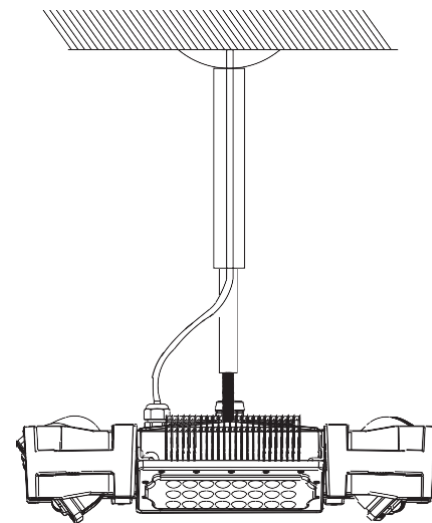
- 3 Step to installation
- 35 Seconds to replace a lens
- 160 Seconds to replace a module



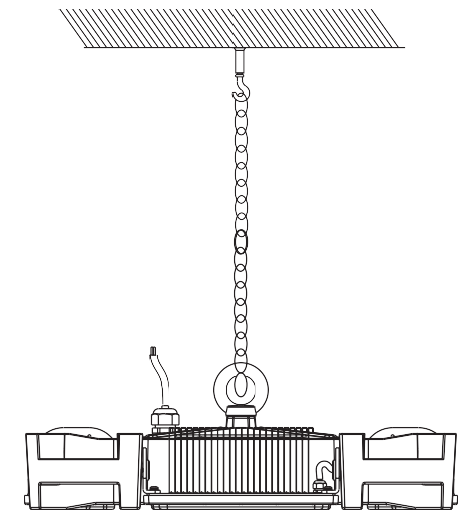
Ultralight

- Whole light 4.5 / 5.3Kg
- Lower freight cost
- Improved installation efficiency

Optional accessories 1
Extension aluminum pole



Optional accessories 2
Iron chain



Installation



T-300-50W
6,500LM
72PCS LED
242×102×196.5mm
2.1kg±5%



T-300-100W
13,000LM
144PCS LED
242×221×247mm
3.2kg±5%



T-300-150W
19,500LM
216PCS LED
242×340×247mm
4.1kg±5%

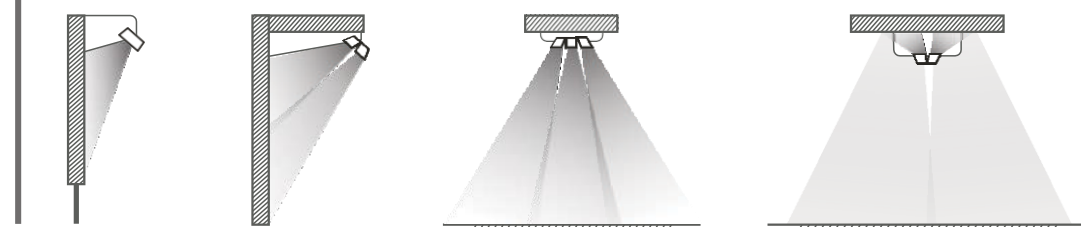


T-300-200W
26,000LM
288PCS LED
419×221×247mm
5.5kg±5%



T-300-300W
39,000LM
432PCS LED
419×340×247mm
8.4kg±5%

INSTALLATION



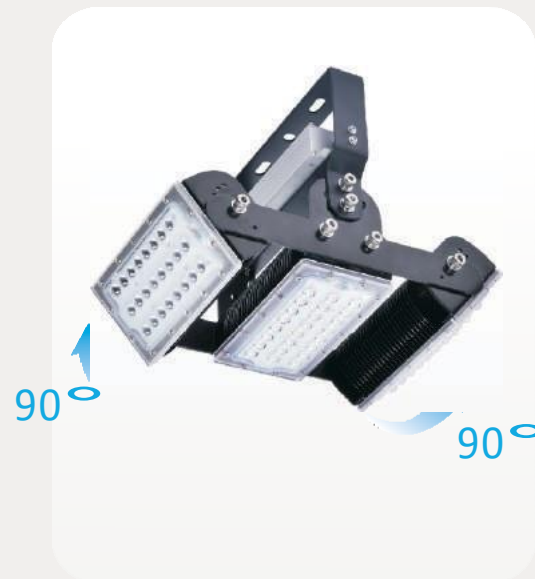
WATTAGE	50/100/150/200/300W
LIGHT SOURCE	LUMILEDS
LED QUANTITY	72 LEDS EACH MODULE
DRIVER	MEANWELL 130LM/W±5%
LAMP LUMINOUS FLUX	CRI Ra>80
CRI	2700-6500K
CCT	AC 90-277V / DC24V, 50/60Hz
RATED VOLTAGE	>0.95
POWER FACTOR	X-135°,Y-65°/30°/60°/120°
BEAM ANGLE	IP65
IP GRADE	ALUMINIUM COOLING FIN
HEAT SINK	
OPERATING TEMP	

Versatile Light | T300

Versatile Light | T300

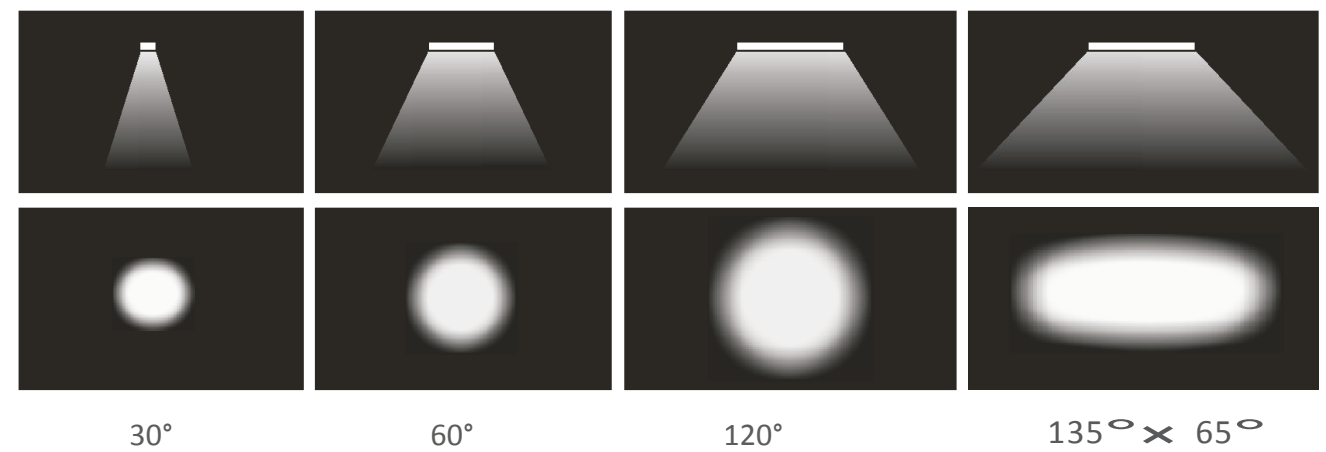


Original 'Multi-LEDs in Cell' technique, lamp efficiency 130LM/W



Rotatable Module Design

Various replaceable optical lens





About Company

Since 2010 ENYLED. have specialised in the design and manufacture of innovative LED lighting products and associated services. In addition to unique and high quality products we also provide professional support for all our products to ensure our customers make the most of our capabilities, include:

Highbay light | Flood light | Street light | Down light
 OEM service | Project solutions | Dialux simulation

We always value comments from our customers. For further information please contact us on info@enyled.com.





Football Field ▲



▲ Port



◀ Tennis Court



▼ Football Field



▲ Landmark



▼ Parking Lot



Workshop ▶



Factory ▼



- ▲ Sports Center
- ▲ Streetlight
- ▲ Parking Lot
- ▲ Streetlight
- ▲ Supermarket Parking Lot

▼ Warehouse



▼ Gas station



▼ Shop



Gas holder Station ▲



Tennis Court ▲



Tennis Court ▲

🔗 Check more products application worldwide
www.enyled.com